

# Product Information

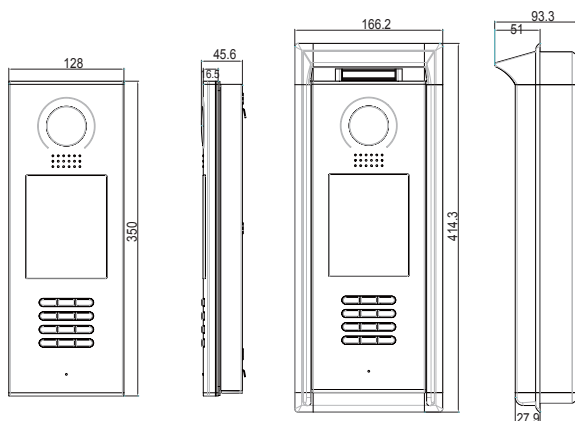
## DMR18 Series 2-Wire Indoor Monitor



### DESCRIPTION

2-wire apartment system color ARS camera outdoor station with proximity access control

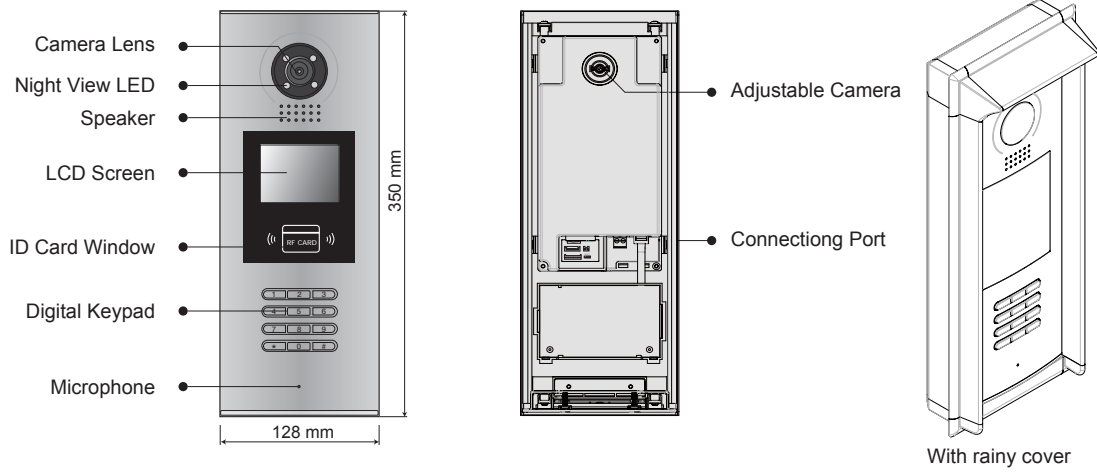
### DIMENSION



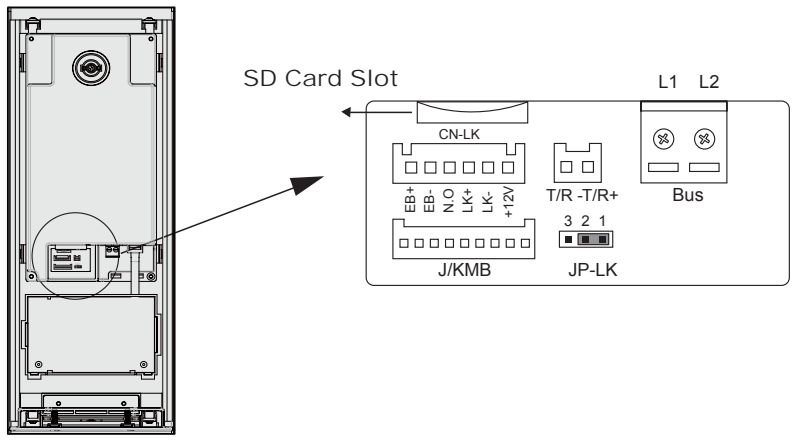
### FEATURES

- ▶ Aluminum alloy panel design with keypad;
- ▶ Proximity access control (max.1000pcs EM cards);
- ▶ Powerful password access control;
- ▶ Camera's angle is adjustable;
- ▶ 3.5 inch color TFT display;
- ▶ Name list display for easy calling;
- ▶ Multi entry stations are supported;
- ▶ Night-view;
- ▶ IP 55 protection rate;
- ▶ Compatible with all DT two wire system models

# 1. Parts and Functions

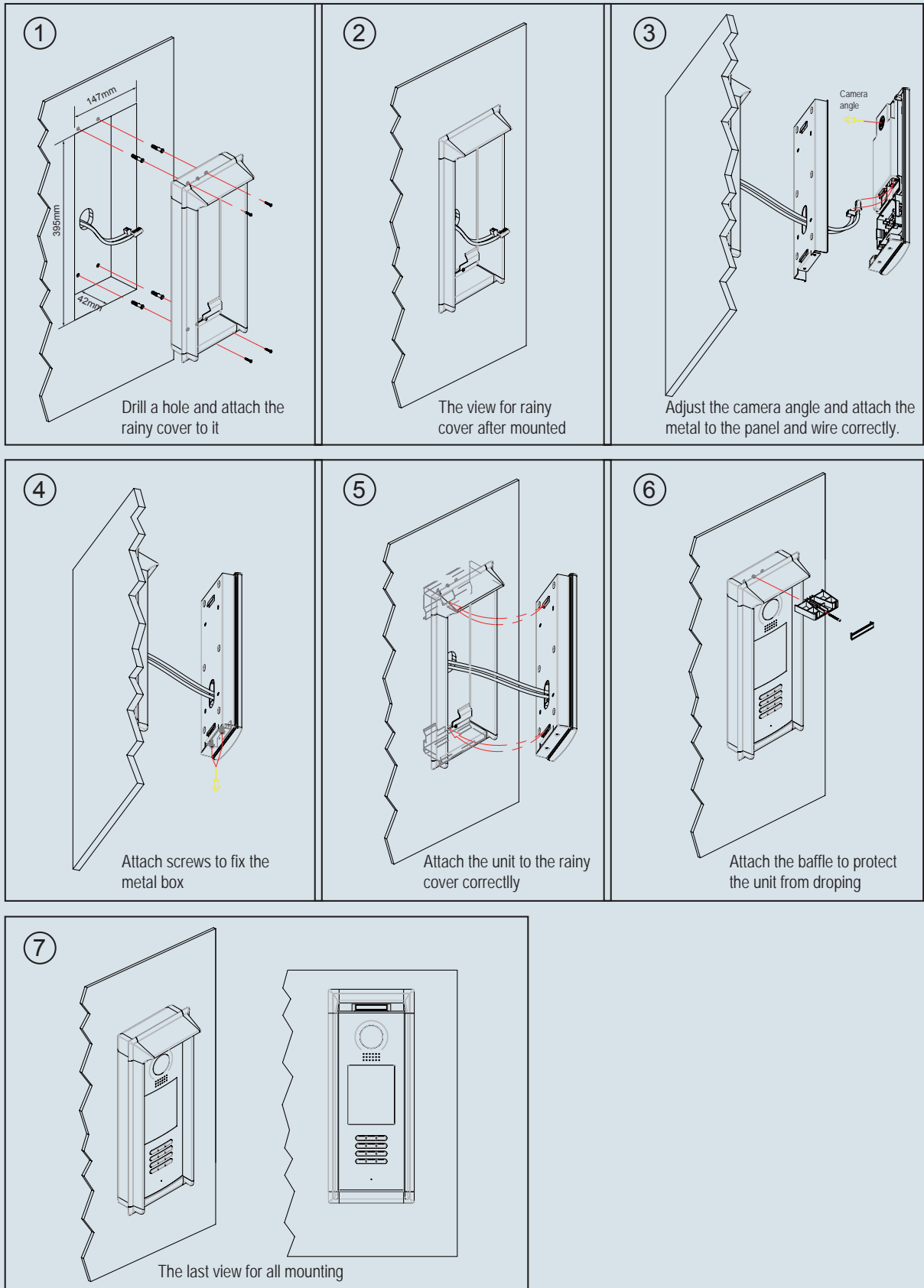


## Terminal description



- \* **+12V:** 12VDC power output.
- \* **LK-(GND):** Power ground.
- \* **LK+(COM):** Common contact of the Relay .
- \* **NO.:**Normally open contact of the Relay(refer to DT technical guide for Lock connection detail informations).
- \* **EB+:** Exit button connection port.
- \* **EB-:** Exit buton connection port.
- \* **JP-LK:** For electronic lock safety type setting(refer to Door Station Lock Connections).
- \* **T/R-:** USB-RS485 communication terminal negative.
- \* **T/R+:** USB-RS485 communication terminal positive.
- \* **Bus(L1,L2):** non-polarity bus line.

## 2. Door Station Mounting



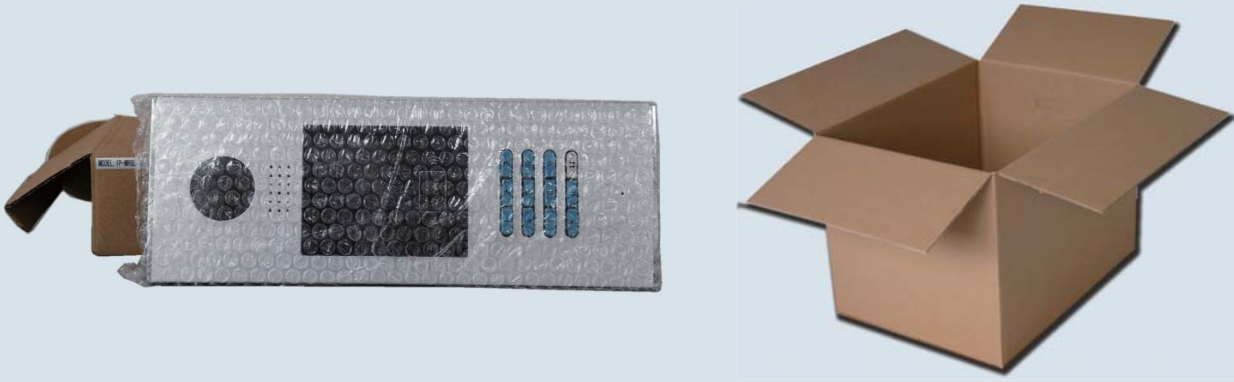
### 3. Specification

- \* Power supply: DC24V(supplied by PS4-24V or PS5-24V) ;
- \* Camera Lens: 1/4 ACS 4T image sensor with DSP processor;
- \* Power consumption: Standby 160W;Working status 450W;
- \* Screen: 3.5 inch TFT ;
- \* Resolution: 320(R, G, B)X240 pixels;
- \* Video signal: CCIR/EIA Optional;
- \* Wiring: 2 wires (non-polarity);
- \* Dimension: 350(H)×128(W)×46(D)mm

### 4. Ordering Information for Door Station

Model No.	Brief Description	Remark
DMR18/ID	Color CCD outdoor station with proximity access control	NSTC,PAL must be specified
RH18	Rainy cover for DMR18	

### 5. Packing Information



Dimensions: 420(H)X171(W) X98(D) mm  
Gross Weight: 1.56Kg

Carton: 415 (H)×360 (W)×265 (D)mm  
Quantity: 7PCS